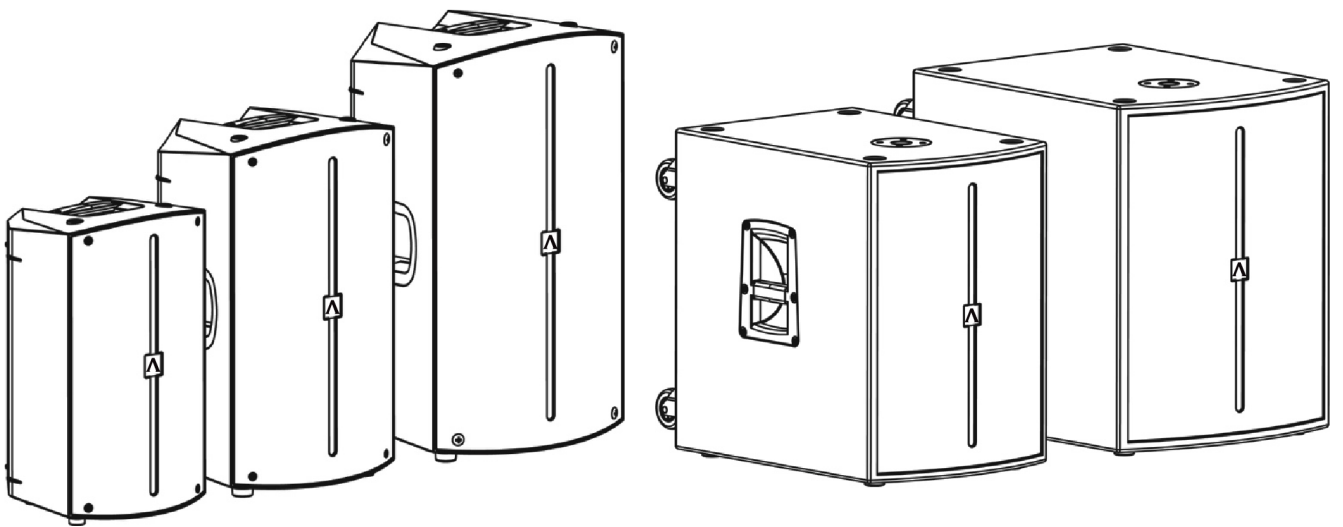


AVANTE



ACHROMIC SERIES SPEAKERS™

Quick Start Guide

©2017 ADJ PRODUCTS LLC all rights reserved. Information, specifications, diagrams, images, and instructions herein are subject to change without notice. ADJ and AVANTE logos and identifying product names and numbers herein are trademarks of ADJ PRODUCTS LLC. Copyright protection claimed includes all forms and matters of copyrightable materials and information now allowed by statutory or judicial law or hereinafter granted. Product names used in this document may be trademarks or registered trademarks of their respective companies and are hereby acknowledged. All non-ADJ PRODUCTS LLC brands and product names are trademarks or registered trademarks of their respective companies.

ADJ PRODUCTS LLC and all affiliated companies hereby disclaim any and all liabilities for property, equipment, building, and electrical damages, injuries to any persons, and direct or indirect economic loss associated with the use or reliance of any information contained within this document, and/or as a result of the improper, unsafe, insufficient and negligent assembly, installation, rigging, and operation of this product.

AVANTE World Headquarters USA

6122 S. Eastern Ave. | Los Angeles, CA 90040 USA

Tel: 800-322-6337 | Fax: 323-582-2941 | www.avanteaudio.com | support@avanteaudio.com

AVANTE Europe B.V.

Junostraat 2 | 6468 EW Kerkrade | Netherlands

Tel: +31 45 546 85 00 | Fax: +31 45 546 85 99 | europe@avanteaudio.com

AVANTE Mexico

Santa Ana 30 | Parque Industrial Lerma | Lerma Mexico 52000

Tel: +52 (728) 282.7070 | ventas@avanteaudio.com

DOCUMENT VERSION

For the latest version of this Quick Start guide or for the full copy of the ACHROMIC Series User Manual, visit www.avanteaudio.com or contact Customer Service.

| Date | Document Version | Notes |
|----------|------------------|------------------|
| 09/14/17 | 1.1 | Updated release. |

CONTENTS

| | |
|------------------------------------|----|
| General Information | 4 |
| Limited Warranty | 6 |
| Safety Instructions and Guidelines | 7 |
| Package Contents | 9 |
| Overview | 10 |
| Use | 14 |
| Installation | 15 |
| Technical Specifications | 16 |
| Optional Accessories | 17 |

GENERAL INFORMATION

INTRODUCTION

Please read and understand the instructions in this manual carefully and thoroughly before attempting to operate this speaker. These instructions contain important safety and use information.

UNPACKING

Every speaker has been thoroughly tested and has been shipped in perfect operating condition. Carefully check the shipping carton for damage that may have occurred during shipping. If the carton appears to be damaged, carefully inspect speaker for damage and be sure all accessories necessary to install and operate the speaker have arrived intact. In the event damage has been found or parts are missing, please contact our customer support team for further instructions. Please do not return this speaker to your dealer without first contacting customer support at the number listed below. Please do not discard the shipping carton in the trash. Please recycle whenever possible.

CUSTOMER SUPPORT

AVANTE provides a customer support line, to provide set up help, answer any question should you encounter problems during your set up or initial operation, and for any service related issues.

You may also visit us on the web at www.avanteaudio.com for any comments or suggestions.

AVANTE SERVICE USA - Monday - Friday 8:00am to 4:30pm PST

Voice: 800-322-6337

Fax: 323-532-2941

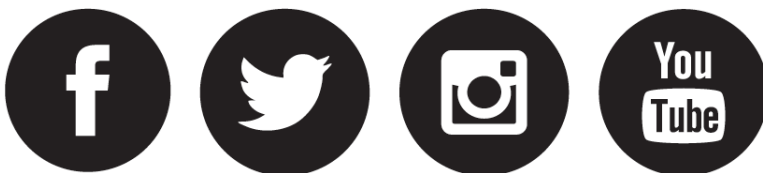
E-mail: support@avanteaudio.com

AVANTE SERVICE EUROPE - Monday - Friday 08:30 to 17:00 CET

Voice: +31 45 546 85 30

Fax: +31 45 546 85 96

E-mail: europa@avanteaudio.com



@avanteaudio

WARRANTY REGISTRATION

Please register your product online: www.avanteaudio.com. Online product registration is required in order to activate the third year of the 3-year warranty. All returned service items whether under warranty or not, must be freight pre-paid and accompany a return authorization (R.A.) number. The R.A. number must be clearly written on the outside of the return package. A brief description of the problem as well as the R.A. number must also be written down on a piece of paper and included in the shipping container. If the unit is under warranty, you must provide a copy of your proof of purchase invoice and the unit must be registered online at www.avanteaudio.com to receive year 3 of the 3-year warranty. Items returned without a R.A. number clearly marked on the outside of the package will be refused and returned at customer's expense. You may obtain a R.A. number by contacting customer support.



I M P O R T A N T N O T I C E !

THERE ARE NO USER SERVICEABLE PARTS INSIDE THIS SPEAKER. DO NOT ATTEMPT ANY REPAIRS YOURSELF; DOING SO WILL VOID THE WARRANTY. DAMAGES RESULTING FROM MODIFICATIONS TO THIS SPEAKER AND/OR THE DISREGARD OF SAFETY AND OPERATION INSTRUCTIONS IN THIS USER MANUAL VOIDS THE MANUFACTURES WARRANTY AND ARE NOT SUBJECT TO ANY WARRANTY CLAIMS AND/OR REPAIRS.

LIMITED WARRANTY

A. ADJ Products, LLC hereby warrants, to the original purchaser, AVANTE products to be free of manufacturing defects in material and workmanship for a prescribed period of up to 3-years (1,095 days) from the original purchase date. Product must be registered online at www.avanteaudio.com in order to activate year 3 of the 3-year warranty period. This warranty shall be valid only if the product is purchased within the United States of America, including possessions and territories. It is the owner's responsibility to establish the date and place of purchase by acceptable evidence, at the time service is sought.

B. For warranty service you must obtain a Return Authorization number (RA#) before sending back the product—please contact ADJ Products, LLC Service Department at 800-322-6337. Send the product only to the ADJ Products, LLC factory. All shipping charges must be pre-paid. If the requested repairs or service (including parts replacement) are within the terms of this warranty, ADJ Products, LLC will pay return shipping charges only to a designated point within the United States. If the entire instrument is sent, it must be shipped in its original package. No accessories should be shipped with the product. If any accessories are shipped with the product, ADJ Products, LLC shall have no liability whatsoever for loss of or damage to any such accessories, or for the safe return thereof.

C. This warranty is void if the serial number has been altered or removed; if the product is modified in any manner which ADJ Products, LLC concludes, after inspection, affects the reliability of the product; if the product has been repaired or serviced by anyone other than the ADJ Products, LLC factory unless prior written authorization was issued to purchaser by ADJ Products, LLC; if the product is damaged because not properly maintained as set forth in the instruction manual.

D. This is not a service contract, and this warranty does not include maintenance, cleaning or periodic check up. During the period specified above, ADJ Products, LLC will replace defective parts at its expense with new or refurbished parts, and will absorb all expenses for warranty service and repair labor by reason of defects in material or workmanship. The sole responsibility of ADJ Products, LLC under this warranty shall be limited to the repair of the product, or replacement thereof, including parts, at the sole discretion of ADJ Products, LLC. All products covered by this warranty were manufactured after August 15, 2012, and bear identifying marks to that effect.

E. ADJ Products, LLC reserves the right to make changes in design and/or improvements upon its products without any obligation to include these changes in any products theretofore manufactured. No warranty, whether expressed or implied, is given or made with respect to any accessory supplied with products described above. Except to the extent prohibited by applicable law, all implied warranties made by ADJ Products, LLC in connection with this product, including warranties of merchantability or fitness, are limited in duration to the warranty period set forth above. And no warranties, whether expressed or implied, including warranties of merchantability or fitness, shall apply to this product after said period has expired. The consumer's and/or Dealer's sole remedy shall be such repair or replacement as is expressly provided above; and under no circumstances shall ADJ Products, LLC be liable for any loss or damage, direct or consequential, arising out of the use of, or inability to use, this product. This warranty is the only written warranty applicable to ADJ Products, LLC Products and supersedes all prior warranties and written descriptions of warranty terms and conditions heretofore published.

SAFETY INSTRUCTIONS AND GUIDELINES



This speaker has been designed for portable and permanent audio installation use in dry locations. Use of this speaker in or near wet and/or damp environments voids all manufacturers warranties. For proper operation, follow the guidelines described in this manual. Only qualified and certified personnel should perform installation of this speaker. Any modifications to any part of this speaker will void the original manufacturer's warranty and increase the risk of damage and/or personal injury. To guarantee a smooth operation, it is important to follow the guidelines in this manual. The manufacturer of this speaker will not accept responsibility for damages resulting from the misuse and/or disregard of the information printed in this manual.



This speaker falls under **PROTECTION CLASS 1**. It's essential this speaker be grounded properly. Only qualified personnel should perform all electrical connections.



DRY LOCATIONS ONLY!

DO NOT EXPOSE SPEAKER TO RAIN AND/OR MOISTURE!

**ONLY USE THE POWER CABLE DESIGNED FOR YOUR LOCATION!
CONFIRM YOUR POWER SOURCE CAN SUPPORT THE TOTAL
POWER DRAW OF YOUR COMPLETE SPEAKER SYSTEM!**



**TO REDUCE RISK OF ELECTRICAL SHOCK, DO NOT REMOVE ANY
COVER. NO USER-SERVICEABLE PARTS INSIDE. REFER
SERVICING TO QUALIFIED SERVICE PERSONNEL ONLY.**

FCC STATEMENT

This device complies with Part 15 of the FCC Rules. Operation is subject to the following two conditions: (1) this device may not cause harmful interference, and (2) this device must accept any interference received, including interference that may cause undesired operation.

FCC RADIO FREQUENCY INTERFERENCE WARNINGS & INSTRUCTIONS

This product has been tested and found to comply with the limits as per Part 15 of the FCC Rules. These limits are designed to provide reasonable protection against harmful interference in a residential installation. This device uses and can radiate radio frequency energy and, if not installed and used in accordance with the included instructions, may cause harmful interference to radio communications. However, there is no guarantee that interference will not occur in a particular installation. If this device does cause harmful interference to radio or television reception, which can be determined by turning the device off and on, the user is encouraged to try to correct the interference by one or more of the following methods:

- Reorient or relocate the device and/or antenna.
- Increase the separation between the device and the receiver.
- Connect the device into an electrical outlet on a circuit different from that which the radio receiver is connected.
- Consult the dealer or an experienced radio/TV technician for help.

SAFETY INSTRUCTIONS AND GUIDELINES

1. This speaker is for PROFESSIONAL USE ONLY.
2. Read these INSTRUCTIONS and keep them in a safe place.
2. Heed all WARNINGS and follow all INSTRUCTIONS.
3. DO NOT use speaker near water and/or damp locations.
4. DO NOT position speaker close to any FLAMMABLE MATERIALS while operating.
5. DO NOT place any objects filled with liquid on or near the speaker such as vases or drink glasses.
6. DO NOT attempt installation and/or operation without knowledge how to do so. Consult a professional sound equipment installer for proper and safe speaker installation.
7. DO NOT shake speaker, avoid brute force when installing and/or operating.
8. Be sure to install this speaker in an area that will allow proper ventilation. Allow approximately 6 inches (152mm) behind the speaker cabinet for proper cooling. The speaker contains an internal power amplifier that produces heat during use.
9. DO NOT use solvents or glass cleaner to clean speaker. Clean only with a dry cloth.
10. ALWAYS disconnect speaker from main power source before performing any cleaning.
11. DO NOT block any ventilation openings. Install in accordance with the manufacturer's instructions.
12. DO NOT install near any heat sources such as radiators, heat registers, stoves, or other apparatus (including amplifiers) that produce heat.
13. DO NOT defeat the safety purpose of the polarized or grounding-type plug. A polarized plug has two blades with one wider than the other. A grounding type plug has two blades and a third grounding prong. The wide blade or the third prong is provided for your safety. If the provided plug does not fit into your outlet, consult an electrician for replacement of the obsolete outlet.
14. Protect the power cord and audio cable from being walked on or pinched particularly at plugs, convenience receptacles, and the point where they connect to the speaker.
15. DO NOT operate speaker if the main power cord has become frayed, crimped and/or damaged. Replace any damaged power cords with a similar power rating.
16. Only use attachment/accessories specified by the manufacturer and listed in this guide.
17. Unplug the speaker during lightning storms and/or when unused for long periods of time.
18. DO NOT disassemble speaker, there are NO user serviceable parts inside. Refer all servicing to qualified service personnel. Servicing is required when the speaker has been damaged in any way, such as power-supply cord or plug is damaged, liquid has been spilled and/or objects have fallen into the speaker, the speaker has been exposed to rain and/or moisture, does not operate normally, or has been dropped.
19. Power Sources: This product should be connected to a power supply only of the type described in these operating instructions, or as marked on the unit.
20. Internal/External Voltage Selectors: Internal or external voltage selector switches, if any, should only be reset and reequipped with a proper plug for alternative voltage by a qualified service technician. Do not attempt to alter this yourself.
21. Water and Moisture: This product should be kept away from direct contact with liquids. The speaker shall not be exposed to dripping or splashing and that no objects filled with liquids, such as vases, shall be placed on the speaker.
22. Protective earthing terminal: The speaker should be connected to a mains socket outlet with a protective earthing connection.
23. DO NOT install this equipment in a confined or "boxed-in" space such as a bookcase or similar unit, and maintain good ventilation conditions. The ventilation should not be impeded by covering the ventilation openings with items such as newspaper, tablecloths, curtains, etc.
24. When moving or not using the appliance, secure the power cord (e.g., wrap it with a cable tie). Be careful not to damage the power cord. Before using it again, make sure the power cord has not been damaged. If the power cord has been damaged at all, bring the unit and cord to a qualified service technician for repair or replacement as specified by the manufacturer.
25. Use the original packaging and materials to transport the speaker in for service.

P A C K A G E C O N T E N T S

A10 | A12 | A15

Speaker

Power Cable

Quick Start Guide

A15S | A18S

Subwoofer

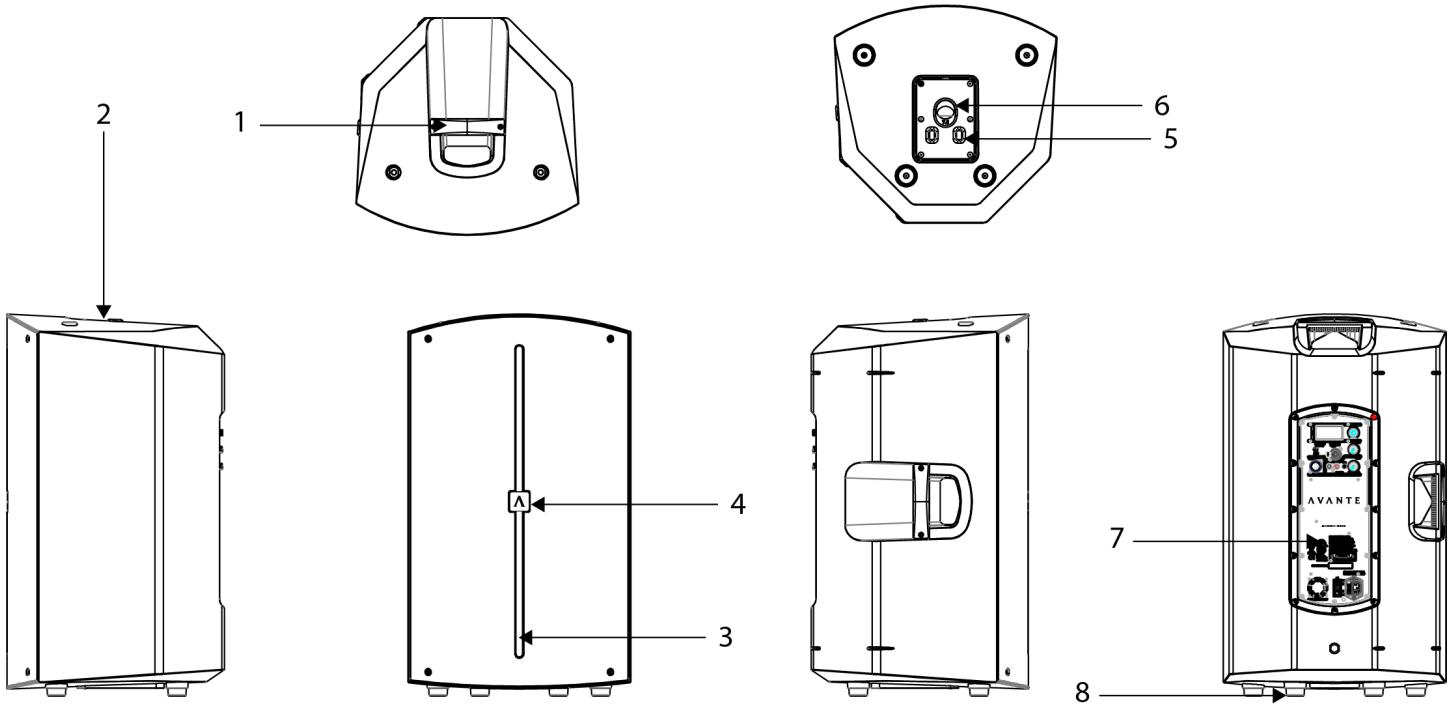
Threaded 1 $\frac{3}{8}$ (M20) Speaker Pole

Power Cable

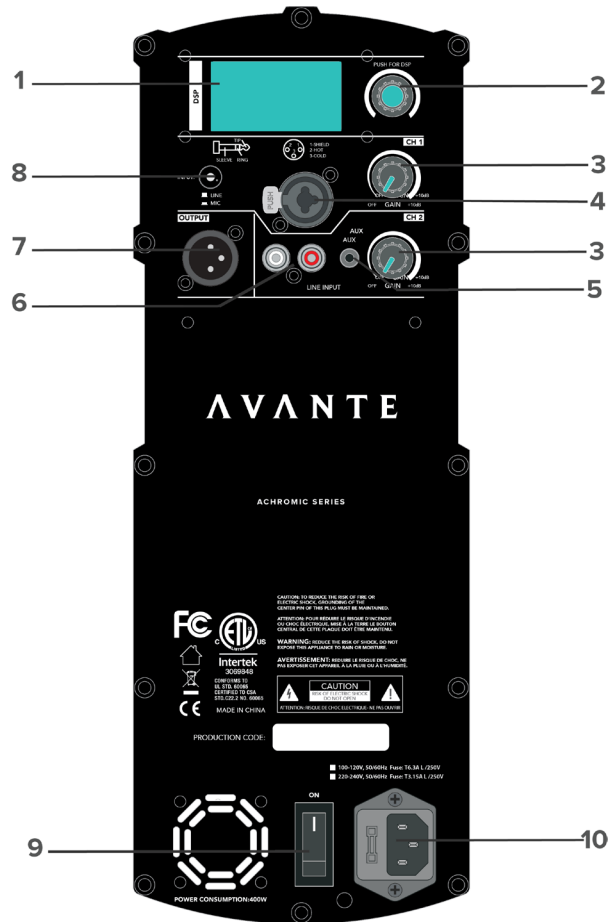
Quick Start Guide

OVERVIEW - A10 | A12 | A15

1. Carrying Handle
2. ABS Enclosure
3. Power LED Indicator
4. Rotating Logo
5. Pole Socket Tilt Release
6. Adjustable Tilt Pole Socket
7. Amplifier Module
8. Anti-Slip Rubber Feet



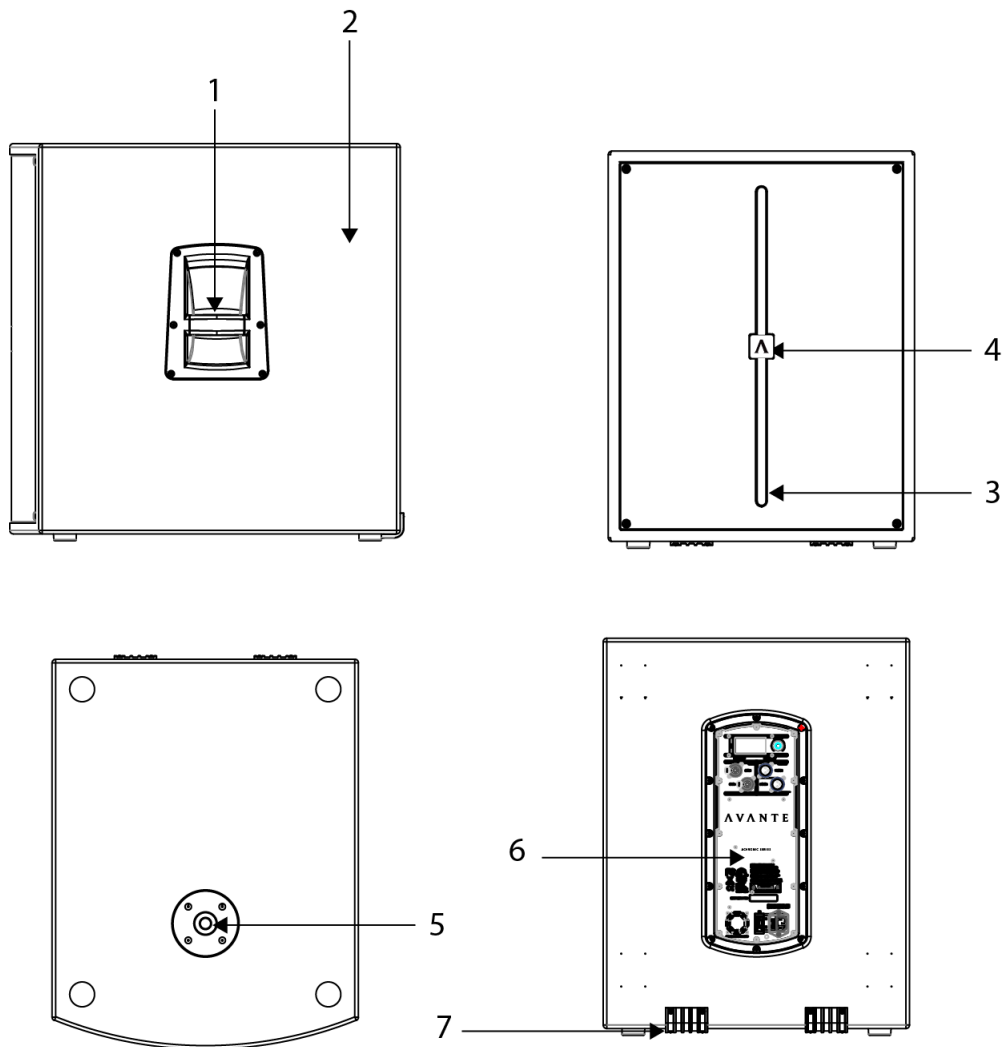
OVERVIEW - A10 | A12 | A15



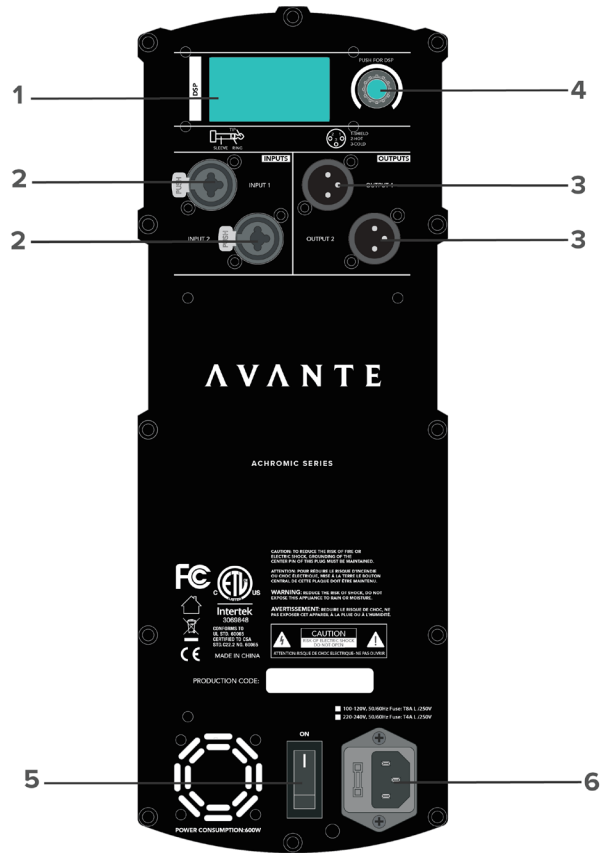
1. LCD Display - DSP Parameters and Status
2. DSP Edit Encoder / Button
3. CH1 / CH2 Level
4. CH1 XLR/1/4" Combo Jack Input
5. CH2 Mini Jack (3.5mm) Line Input
6. CH2 RCA Line Input
7. MIX XLR Output
8. CH1 Line/Mic Switch
9. Power Switch
10. Power Cord Input

OVERVIEW - A15S | A18S

1. Carrying Handle
2. Plywood Enclosure
3. Power LED Indicator
4. Rotating Logo
5. 1 3/8" (M20) Threaded Pole Socket
6. Amplifier Module
7. Anti-Slip Rubber Feet



OVERVIEW - A15S | A18S



1. LCD Display - DSP Parameters and Status
2. Input1 and Input2 XLR/1/4" Combo Jacks
3. Output1 and Output2 XLR Jacks
4. DSP Edit Encoder / Button
5. Power Switch
6. Power Cord Input

U S E

The Achromic Series comprises three full-range loudspeaker options, the 10-inch **A10**, 12-inch **A12**, and 15-inch **A15**. All three models feature a Bi-Amped, high efficiency fan cooled Class A/B switching power amp for the highs, and a Class D power amp for the low end. Each cabinet was carefully designed with components specifically chosen to provide high SPL levels while ensuring smooth coverage across all frequencies in a lightweight package ranging from the **A10** at 25 lbs. (11.3 kg) up to the **A18S** at 73 lbs. (33.1 kg).

Power Ranges from 1000 Watts for the **A10** to 1200 Watts for the **A12/A15**. Designed to work for you, the full-range speakers feature a 35mm pole socket with two position options – zero or a 7.5-degree downward tilt for stand mounting but can also be flown via the built-in M10 fly points, wall mounted or used a main or floor monitor.

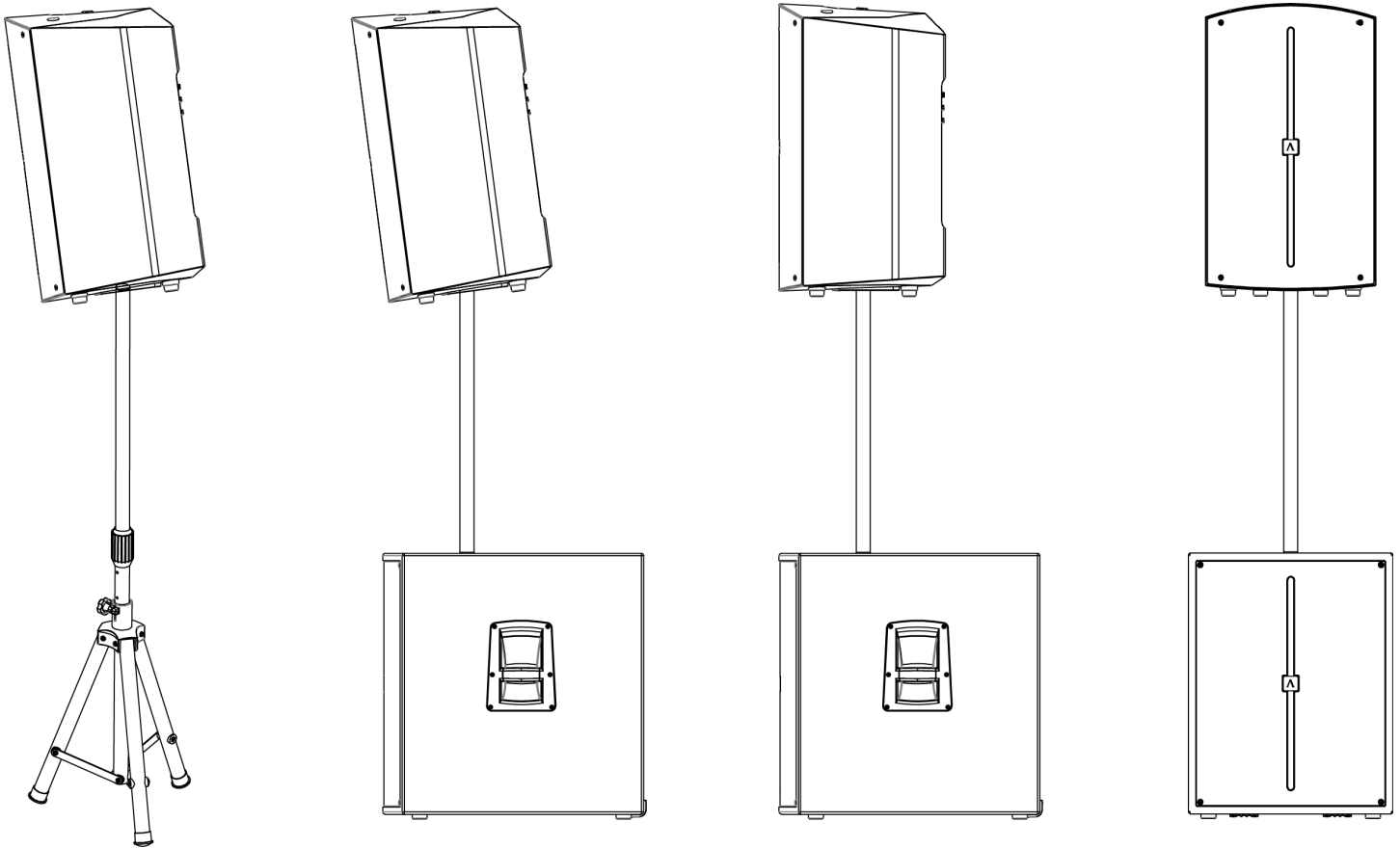
To provide enhanced bass response and extended low frequency coverage, the Achromic Series also includes two active DSP Controlled sub options with configurable output directivity. The cardioid output option allows you to better focus your low end in a ground stack configuration for tight clean bass. The **A15S** offers a 15-inch woofer with a 3-inch voice coil, while the **A18S** is fitted with an 18-inch woofer with a 3-inch voice coil. Both feature an integrated powerful Class D amplifier that delivers an impressive 1600-Watts.

Every model in the Achromic Series features an advanced easy to use Digital Signal Processor accessible via an LCD screen on the rear panel of the speaker. The built-in DSP allows you custom optimization to configure the speaker specifically for your needs: Music Type /Room/ mounting option/EQ/ and System configurations.






INSTALLATION

The Achromic Series speakers provide versatile installation options as illustrated below.

The **A10**, **A12**, and **A15** speakers can be pole mounted on a standard speaker stand (not included), or pole mounted on top of the **A15S** or **A18S** sub woofers using the included sub speaker poles. Additionally, the **A10**, **A12**, and **A15** speakers can be permanently installed using optional M10 Eye Bolts.



TECHNICAL SPECIFICATIONS

| | A10 | A12 | A15 | A15S | A18S |
|---------------------------------|---|---|---|---|---|
| Frequency Range (-10db) | 70Hz-20kHz | 60Hz-20kHz | 45Hz-20kHz | 35Hz-160Hz | 35Hz-150Hz |
| Nominal Coverage | 90° x 60° | 90° x 60° | 90° x 60° | Omni-Direction Cardioid | Omni-Direction Cardioid |
| Output (Peak SPL @1M) | 121dB | 123dB | 124dB | 126dB | 127dB |
| Amplifier Power | 250W Class D (LF) +50W Class AB (HF) RMS 1200 W Dynamic | 350W Class D (LF) + 50W Class AB (HF) RMS 1200 W Dynamic | 350W Class D (LF) + 50W Class AB (HF) RMS 1200 W Dynamic | 500W RMS Class D, 1200W Dynamic | 500W RMS Class D, 1200W Dynamic |
| Current Consumption | 400 Watts | 400 Watts | 400 Watts | 600 Watts | 600 Watts |
| DSP Features | LCD Screen with EQ and Multiple Presets | LCD Screen with EQ and Multiple Presets | LCD Screen with EQ and Multiple Presets | LCD Screen with EQ and Multiple Presets | LCD Screen with EQ and Multiple Presets |
| Driver Information | 10" Woofer w/2" Voice Coil. 1" HF Compression Driver | 12" Woofer w/2.5" Voice Coil. 1.35" HF Compression Driver | 15" Woofer w/2.5" Voice Coil. 1.35" HF Compression Driver | 15" Woofer w/3" Voice Coil | 18" Woofer w/3" Voice Coil |
| Input /Output Connectors | Balanced female XLR/ ¼" combo jack, 2 x RCA (Phono). Balanced Male XLR Output | Balanced female XLR /¼" combo jack, 2 x RCA (Phono). Balanced Male XLR Output | Balanced female XLR/ ¼" combo jack, 2 x RCA (Phono). Balanced Male XLR Output | 2 x Balanced female XLR/ ¼" combo jacks, 2 x XLR male balanced outputs | 2 x Balanced female XLR/ ¼" combo jacks, 2 x XLR male balanced outputs |
| Enclosure | H-PP Molded | H-PP Molded | H-PP Molded | 15mm Plywood | 18mm Plywood |
| Grill | 1.2 mm Steel | 1.2 mm Steel | 1.2 mm Steel | 1.2 mm Steel | 1.2 mm Steel |
| Handles | 1 Top | 1 Top, 1 Side | 1 Top, 1 Side | 2 Side | 2 Side |
| Fly Points (M10) | 2 Top 1 Back | 2 Top 1 Back | 2 Top 1 Back | | |
| Pole Mounting | Dual Position 0°, 7.5° | Dual Position 0°, 7.5° | Dual Position 0°, 7.5° | Ground Stack | Ground Stack |
| Power Input | 120v/60HZ or 230v/50Hz | 120v/60HZ or 230v/50Hz | 120v/60HZ or 230v/50Hz | 120v/60HZ or 230v/50Hz | 120v/60HZ or 230v/50Hz |
| Net Dimensions | | | | | |
| Height | 20.9" (530 mm) | 24.7" (628 mm) | 28.7" (728 mm) | 24.1" (612 mm) | 26.1" (662 mm) |
| Width | 12.2" (310 mm) | 14.4" (365 mm) | 16.7" (425 mm) | 16.9" (430 mm) | 20.1" (510 mm) |
| Depth | 11.8" (299 mm) | 13.9" (354 mm) | 16.3" (414 mm) | 23.9" (607 mm) | 25.5" (647 mm) |
| Net Weight | 25 lbs (11.3 kg) | 35 lbs (15.9 kg) | 42 lbs (19.1 kg) | 57 lbs (25.9 kg) | 73 lbs (33.1 kg) |
| cETLus |  |  |  |  |  |

OPTIONAL ACCESSORIES

| ORDER CODE | ITEM |
|-------------|--|
| AVACK4 | ACHROMIC A15S / A18S CASTER SET (4) |
| A10 COVER | ACHROMIC A10 BLACK PADDED SLIP ON COVER |
| A12 COVER | ACHROMIC A12 BLACK PADDED SLIP ON COVER |
| A15 COVER | ACHROMIC A15 BLACK PADDED SLIP ON COVER |
| A15S COVER | ACHROMIC A15S BLACK PADDED SLIP ON COVER |
| A15SC COVER | ACHROMIC A15S w/CASTERS BLACK PADDED SLIP ON COVER |
| A18S COVER | ACHROMIC A18S BLACK PADDED SLIP ON COVER |
| A18SC COVER | ACHROMIC A18S w/CASTERS BLACK PADDED SLIP ON COVER |
| A10-TOTE | ACHROMIC A10 TOTE BAG |
| A12-TOTE | ACHROMIC A12 TOTE BAG |
| A15-TOTE | ACHROMIC A15 TOTE BAG |
| Z-M10-58 | M10 EYE BOLT - Single |
| Z-M10-58-3 | M10 EYE BOLTS - 3-Pack |

