

RR 4200

RF receiver

FEATURES

- RF stereo signal reception
- Automatic channel search tuning control on the receiver (auto-tuning)
- Signal reception even through walls
- Automatic on/off when put on/removed
- Balance control left/right
- Low weight for great wearing comfort
- Lithium polymer battery for up to 9 hours of continuous operation

The **RR 4200** is a lightweight RF receiver offering a high quality audio reception. The sound can be individually optimized by a balance and a volume control. The included lithium polymer battery allows up to 9 hours of continuous use.



ARCHITECT'S SPECIFICATIONS

The device shall be a portable radio frequency (RF) stereo receiver. The RF receiver shall be for use with a companion RF transmitter as part of a wireless RF transmission system. The RF transmission shall utilize frequency modulation (FM) technology within an RF frequency range of 863.0MHz and 865.0MHz; an automatic channel search tuning function (auto-tuning) shall be provided. The receiver shall incorporate stethoscope-style earphones for head-worn use; maximum sound pressure level at 1 kHz shall be 125 dB_{sp} when worn. Audio frequency response shall be 50 – 16,000Hz; total harmonic distortion (THD) shall be <1.0%. Signal-to-noise ratio shall be at 65 dB(A) (typical). The receiver shall incorporate an automatic power on feature when worn by the user; auto power off shall occur upon removal of the head-worn receiver. Ear pad fit shall be self-adjusting to the user's ears to allow comfortable fit; ear pad tips shall be replaceable. The receiver shall include volume (level) and left/right balance controls.

Continued on page 2

TECHNICAL DATA

Modulation:FM, stereo
RF frequency range863.0–865.0 MHz
Frequency response:50–16,000 Hz
Reception range:up to 100 m
Max. sound pressure level (at 1kHz):125 dB
Total harmonic distortion (at 1kHz): < 1 %
Signal-to-noise ratio:typ. 65 dB(A)
Operating time:up to 9 h
Charging time:approx. 3 h
Weight incl. battery:.....approx. 53 g

DELIVERY INCLUDES

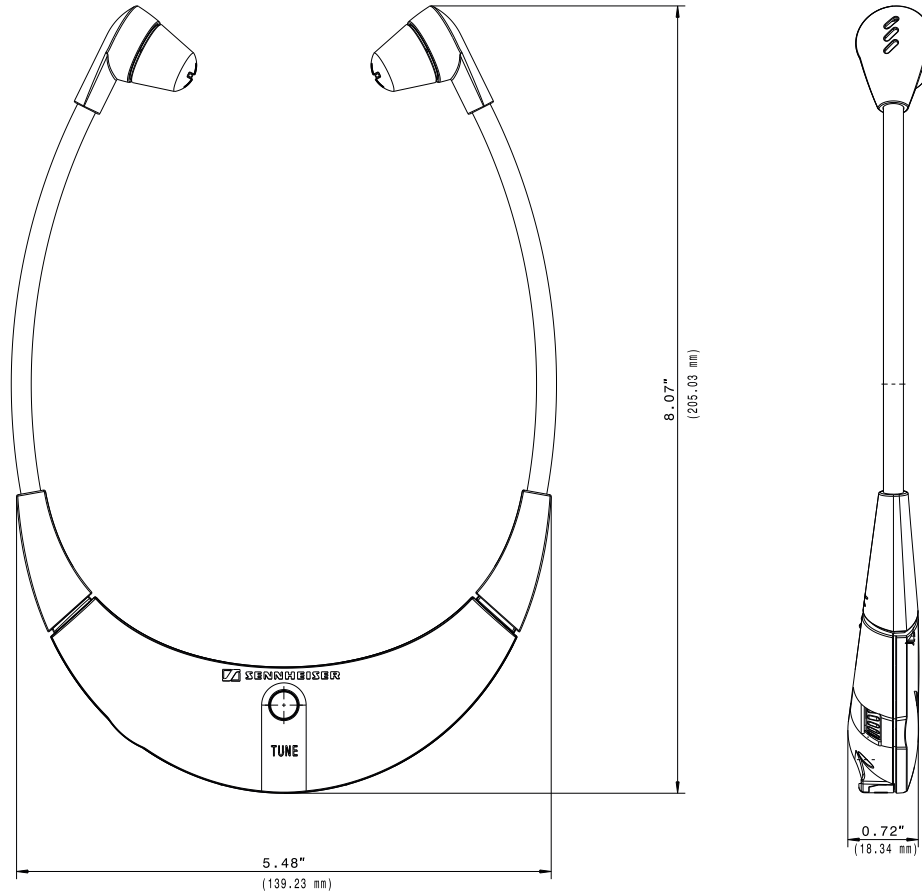
- 1 RR 4200 receiver
- 1 BA 300 rechargeable battery
- 2 alternative pairs of ear pads
- 1 manual

RR 4200 RF receiver

ARCHITECT'S SPECIFICATIONS

Power shall be supplied to the portable receiver by one Sennheiser BA 300 rechargeable battery pack. Operating time shall be up to 9 hours. Battery charging time shall be approximately 3 hours. The receiver overall dimensions shall be approximately 8.07" x 0.72" (205.03 x 18.34 mm) [overall width adjusts and varies based upon user head size]. Weight including battery shall be approximately 1.87 oz (53 grams). The portable RF stereo receiver shall be Sennheiser model RR 4200.

DIMENSIONS



PRODUCT VARIANTS

500685 RR 4200

RECOMMENDED ACCESSORIES

- | | |
|-----------------------------------|----------------|
| BA 300 rechargeable battery | Cat.No. 500898 |
| Ear pads (normal), 5 pairs | Cat.No. 517625 |
| Ear pads (lamellar form), 5 pairs | Cat.No. 517626 |

Sennheiser electronic GmbH & Co. KG
Am Labor 1, 30900 Wedemark, Germany
www.sennheiser.com

